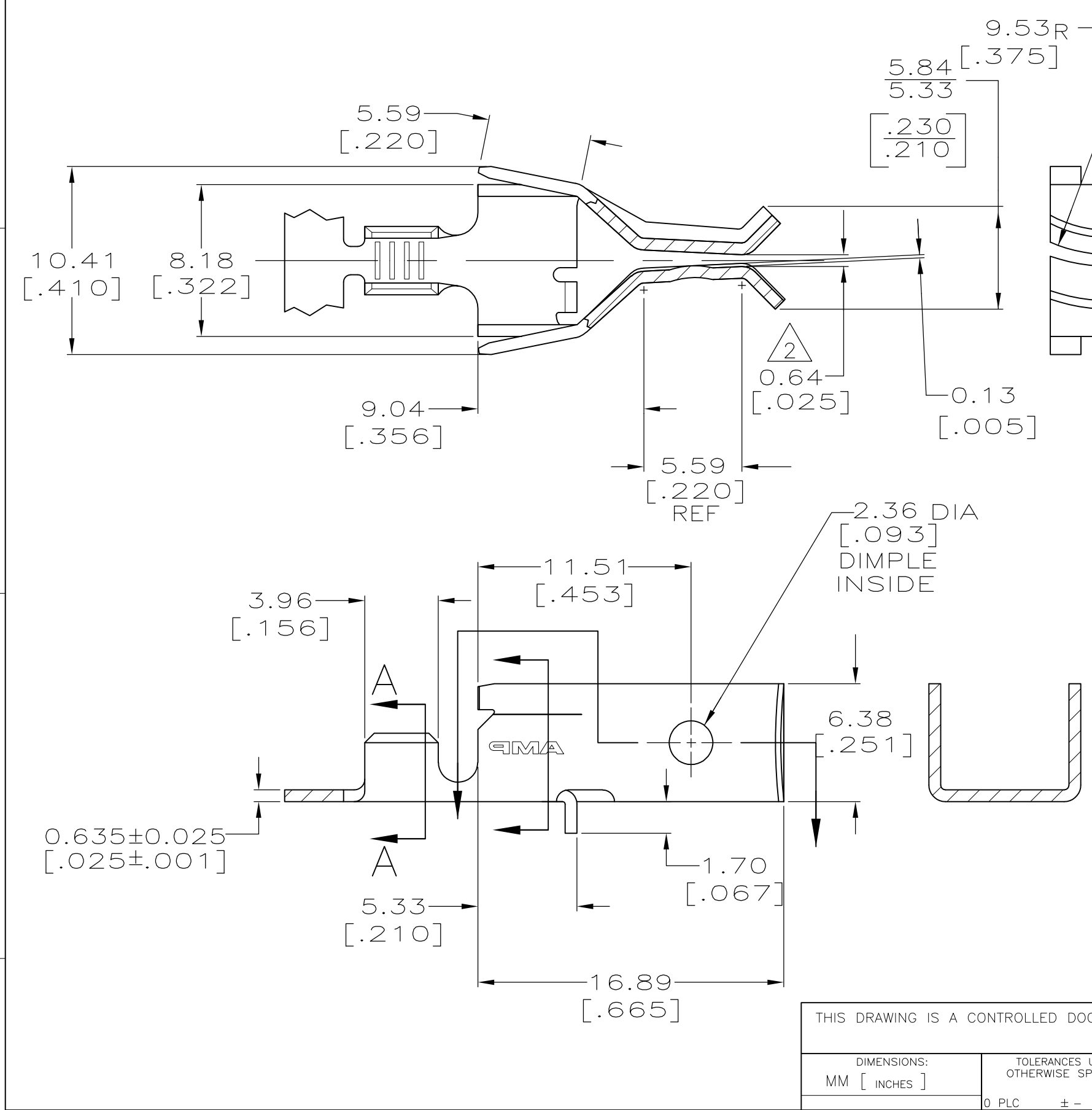
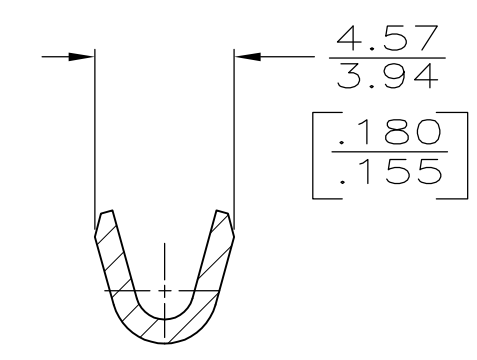


THIS DRAWING IS UNPUBLISHED. RELEASED FOR PUBLICATION  
 © COPYRIGHT - By - ALL RIGHTS RESERVED.

LOC	DIST	REVISIONS					
AF	50	P	LTR	DESCRIPTION	DATE	DWN	APVD
				D1 REVISED PER ECO-14-017598	04DEC14	JR	DH



- 1 CONTINUOUS STRIP ON REEL.
- △ 2 DIMENSION NOT TO EXCEED 1.01 [.040] AFTER 6 INSERTIONS OF A MATING BLADE.
- 3 OVERLAP SPLICE USED



SECTION A-A  
SCALE 5:1

0.00381 [.000150] MIN SILVER PLATE	[18-14] AWG	63863-2
0.00203 [.000080] MIN TIN PLATE	[18-14] AWG	63863-1
FINISH	WIRE RANGE	PART NO.

THIS DRAWING IS A CONTROLLED DOCUMENT.

DIMENSIONS: MM [ INCHES ]	TOLERANCES UNLESS OTHERWISE SPECIFIED:	DWN PHILLIP M. FORTNEY 20/JUL/95	TE Connectivity
		CHK JEFF R. RUTH 20/JUL/95	
		APVD DENNIS SCHWENK 20/JUL/95	
		NAME	
		PRODUCT SPEC	RECEPTACLE, TWIST LOCK
		APPLICATION SPEC	
MATERIAL H04 PHOS BRONZE	FINISH SEE TABLE	WEIGHT -	SIZE A3
			CAGE CODE 00779
			DRAWING NO C-63863
			RESTRICTED TO -
			SCALE 4:1
			SHEET 1 OF 1
			REV D1

CUSTOMER DRAWING